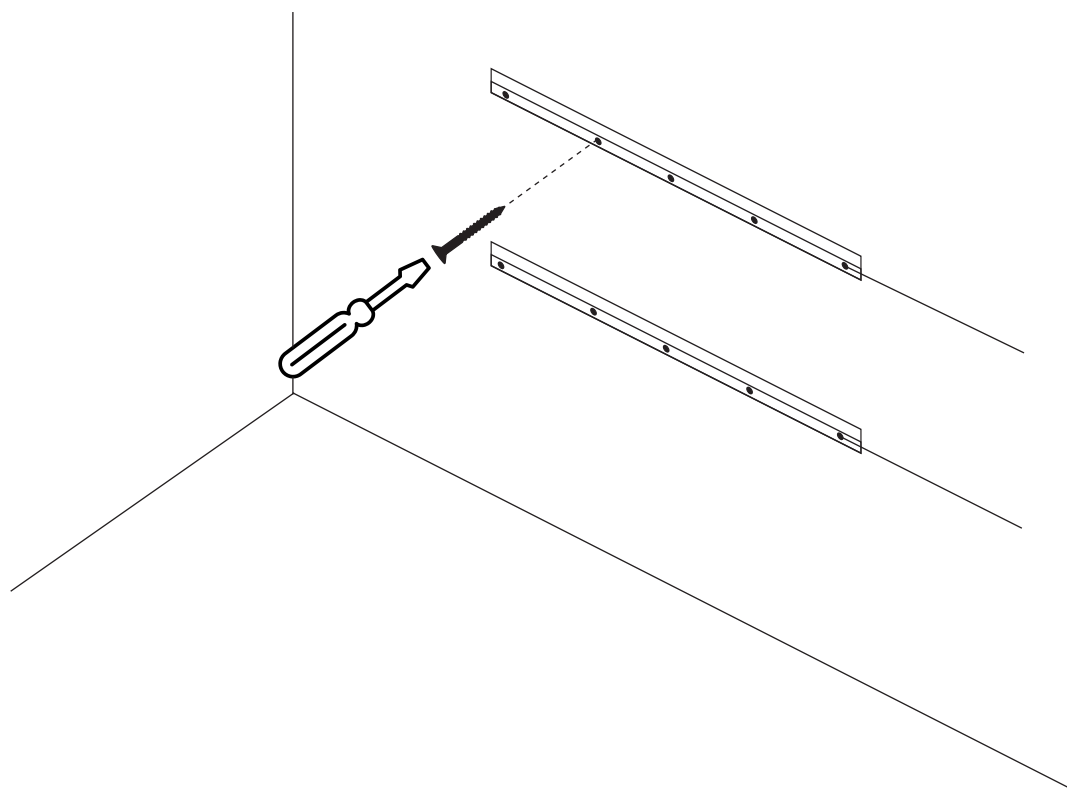


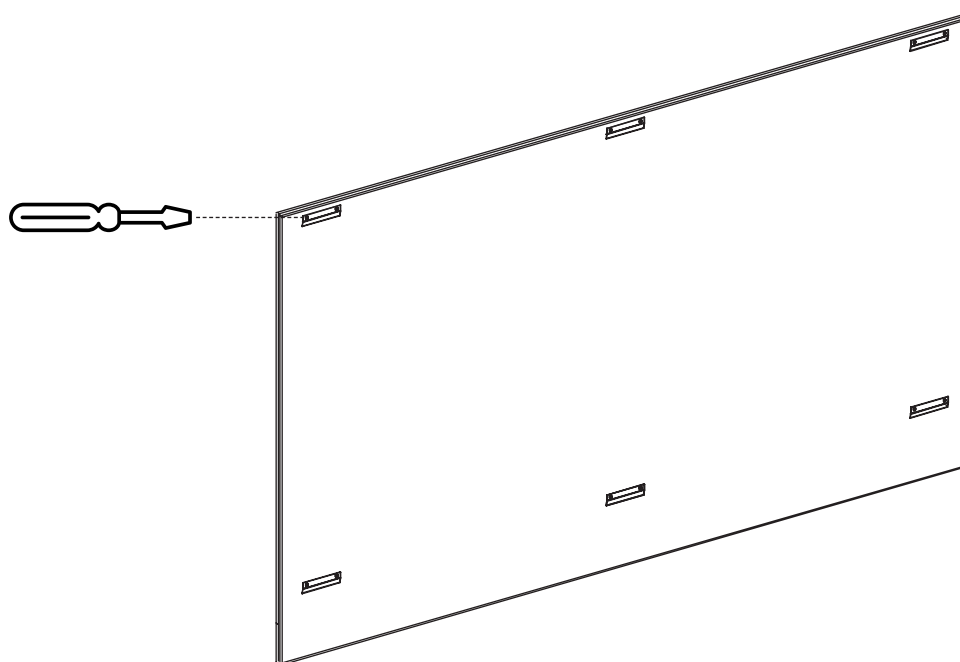
LINTEX

AIR Whiteboard

We make our products to last for a long time, and to be used over and over again. But when they reach end-of-life, they should be demounted to enable material re-use or recycling as far as possible.



1. Remove brackets from wall



2. Remove brackets from whiteboard

We recommend our clients to use the products for a long time and thereafter resell them to another user.

Spare parts are available to prolong the life of the product. Contact us for requests.

When the product reaches end-of life, we recommend disassembly, where functioning parts are reused and the rest of the materials recycled according to national recycling systems.

The skill level required for disassembly is either layman, professional or specialist

Description /Do like this	Tools needed	Separated parts	Material recycling as
1 Remove brackets from wall*	Screwdriver	Brackets	Aluminium
2 Remove brackets from writing board*	Screwdriver	Brackets	Aluminium
3 Let a recycling station extract materials in the whiteboard***			Steel Aluminium Wood

*Layman **Professional ***Specialist